

Versatile: HGV double-deck loading or pallet truck / stacker operation

3-phase AC motor for maximum performance and low energy consumption

ShockProtect to protect the operator, truck and load

Electric tiller for easy steering

Optimum driving characteristics with fixed ProTracLink torsion bar

Fixed operator platform (optional)



## ERD 220

### Electric pedestrian stacker (2,000 kg)

The ERD 220 electric pedestrian stacker is extremely versatile and powerful when it comes to load handling. A specialist in HGV double-deck loading, it transports loads efficiently over longer distances or stacks/retrieves loads up to 2560 mm high. The design of the truck is very robust: An 8-mm steel chassis and box section forks made of sectional steel allow for heavy-duty applications with heavy loads.

The ERD 220 is also ideal for both pedestrian and ride-on operation. In ride-on mode, the ERD achieves a very high speed of up to 12.5 km/h. This means that goods can be handled or transported efficiently.

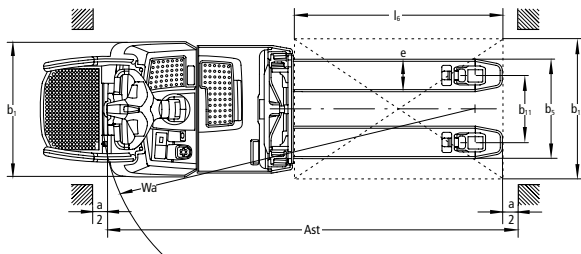
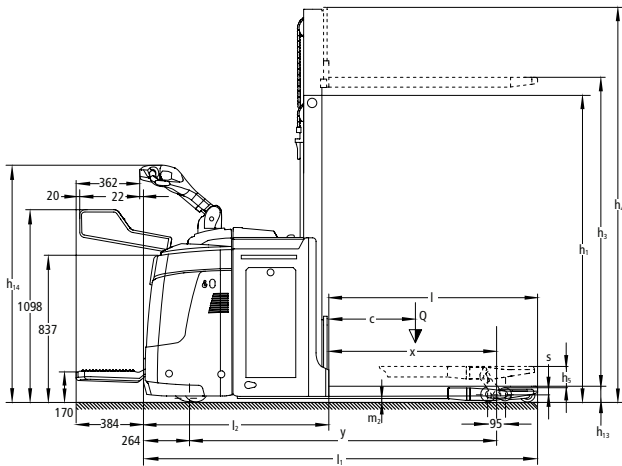
This truck also offers maximum operator safety and operator comfort:

- In addition to the soft suspension of the platform, the entire drive system is cushioned with ShockProtect suspension. The advantage:

- Reduces stress on the operator's spinal column.
  - Considerably less impact on the chassis and all technical components of the ERD 220.
  - Electric steering for fatigue-free travel, even with heavy loads.
  - The maximum speed of the truck is automatically reduced when cornering, depending on the steering angle (Curve Control).
  - A fixed stand-on platform (optional) provides outstanding operator protection with extra-high side components.
- Up to 465 Ah high-performance batteries are available for really demanding applications. Combined with state-of-the-art 3-phase AC technology, this ensures longer operating times with simultaneously minimised power consumption. For multi-shift operations, the ERD 220 is equipped with a lateral battery exchange option. The ERD 220 basic model is available for less demanding applications (no lateral battery exchange).

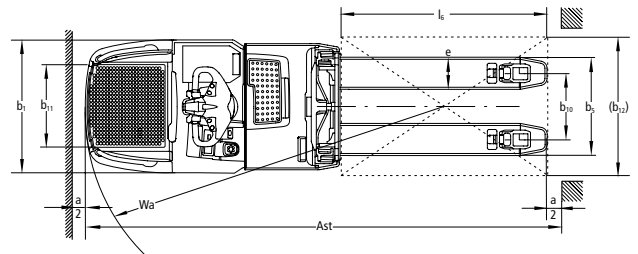
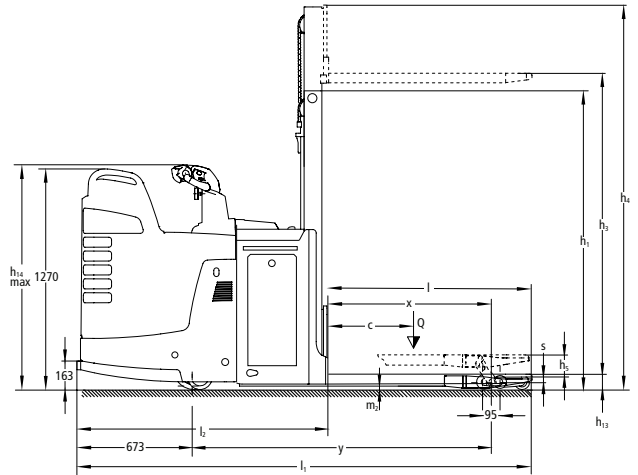
# ERD 220

ERD 220



Foldable platform

ERD 220



Fixed platform

Standard mast types ERD 220							
	Lift $h_3$ (mm)	Lowered mast height $h_1$ (mm)		Free lift $h_2$ (mm)		Extended mast height <sup>1)</sup> $h_4$ (mm)	
		ERD 220 basic model / basic model Fast	ERD 220 Fold up / Fixed Platform	ERD 220 basic model / basic model Fast	ERD 220 Fold up / Fixed Platform	ERD 220 basic model / basic model Fast	ERD 220 Fold up / Fixed Platform
Duplex ZT	1660	1350	1350	100	100	2150	2150
	2010	1530	1530	100	100	2500	2500
	2560	-	1810	-	100	-	3050
Duplex ZZ	2500	-	1700	-	1130	-	3070
Triplex DT	2500	-	1366	-	100	-	2990

<sup>1)</sup>including basic lift + 122 mm

# Technical data in line with VDI 2198

				Jungheinrich					
				ERD 220					
Identification	1.1	Manufacturer (abbreviation)							
	1.2	Model							
				<b>Basic model, folding plat- form</b>	<b>Foldable platform</b>	<b>fixed plat- form</b>	<b>Basic model Fast, fixed platform</b>		
	1.3	Drive		Electric					
	1.4	Manual, pedestrian, stand-on, seated, order picker operation		stand-on/ pedestrian	stand-on/ pedestrian	stand-on	stand-on		
	1.5	Load capacity/rated load		Q	t	2			
	1.5.1	Load capacity/mast lift		Q	t	1			
	1.5.2	Load capacity/support arm lift		Q	t	2			
	1.6	Load centre distance		c	mm	600			
	1.8	Load distance		x	mm	957 <sup>6)</sup>			
1.9	Wheelbase		y	mm	1,749 <sup>6)</sup>	1,677 <sup>6)</sup>	1,677 <sup>6)</sup>	1,749 <sup>6)</sup>	
Weights	2.1.1	Net weight incl. battery (see row 6.5)		kg	1,186	1,110	1,168	1,228	
	2.2	Axle load with load front/rear		kg	1,958 / 1,228	1,920 / 1,190	1,920 / 1,248	1,960 / 1,268	
	2.3	Axle load without load front/rear		kg	348 / 838	310 / 800	310 / 858	350 / 878	
Wheels / frame	3.1	Tyres		Vulkollan					
	3.2	Tyre size, front		mm	Ø 230 x 77				
	3.3	Tyre size, rear		mm	Ø 85 x 95 / Ø 85 x 75				
	3.4	Additional wheels (dimensions)		mm	Ø 140 x 50				
	3.5	Wheels, number front/rear (x = driven wheels)		1x +2/2 or 4					
	3.6	Tread width, front		b <sub>10</sub>	mm	512			
	3.7	Tread width, rear		b <sub>11</sub>	mm	385			
Basic dimensions	4.2	Mast height (lowered)		h <sub>1</sub>	mm	1,350			
	4.4	Lift		h <sub>3</sub>	mm	1,660			
	4.5	Extended mast height		h <sub>4</sub>	mm	2,150			
	4.6	Initial lift		h <sub>5</sub>	mm	122			
	4.9	Height of tiller in drive position min. / max.		h <sub>14</sub>	mm	1,158 / 1,414			
	4.15	Height, lowered		h <sub>15</sub>	mm	90			
	4.19	Overall length		l <sub>1</sub>	mm	2,246	2,174 <sup>2)</sup>	2,584 <sup>2)</sup>	2,656
	4.20	Length to face of forks		l <sub>2</sub>	mm	1,056	984 <sup>2)</sup>	1,394 <sup>2)</sup>	1,466
	4.21	Overall width		b <sub>1</sub> /b <sub>2</sub>	mm	770			
	4.22	Fork dimensions		s/e/l	mm	56 / 185 / 1,190			
	4.25	Width across forks		b <sub>5</sub>	mm	570			
	4.32	Ground clearance, centre of wheelbase		m <sub>2</sub>	mm	20			
	4.33	Aisle width for pallets 1000 x 1200 sideways		Ast	mm	2,455 <sup>5)</sup>	2,383 <sup>5)</sup>	2,831 <sup>5)</sup>	2,903 <sup>5)</sup>
4.34	Aisle width for pallets 800 x 1200 lengthways		Ast	mm	2,465 <sup>4)</sup>	2,393 <sup>4)</sup>	2,841 <sup>4)</sup>	2,913 <sup>4)</sup>	
4.35	Turning radius		W <sub>a</sub>	mm	2,022 <sup>6)</sup>	1,950 <sup>6)</sup>	2,398 <sup>6)</sup>	2,470 <sup>6)</sup>	
Performance data	5.1	Travel speed, laden/unladen		km/h	7.2 / 8.2	9.5 / 12.5	9.5 / 12.5	9.5 / 12.5	
	5.2	Lift speed, laden/unladen		m/s	0.13 / 0.22	0.14 / 0.24	0.14 / 0.24	0.14 / 0.24	
	5.3	Lowering speed, laden/unladen		m/s	0.25 / 0.21	0.27 / 0.25	0.27 / 0.25	0.27 / 0.25	
	5.8	Max. gradeability, laden/unladen		%	8 / 15	8 / 16	8 / 16	8 / 16	
	5.10	Service brake		regenerative					
Electrics	6.1	Drive motor, output S2 60 min.		kW	2.8				
	6.2	Lift motor kW rating at S3 7%		kW	2.0	0.0	0.0	0.0	
	6.2	Lift motor, output at S3 (on time) 12 %		kW	0	2	2	2	
	6.3	Battery as per DIN 43531 / 35/36 A, B, C, no		B 43535					
	6.4	Battery voltage/nominal capacity K5		V/Ah	24 / 375	24 / 250 <sup>3)</sup>	24 / 250 <sup>3)</sup>	24 / 375	
	6.5	Battery weight		kg	288	220 <sup>1)</sup>	220 <sup>1)</sup>	288	
	6.6	Energy consumption according to VDI cycle		kWh/h	0.51	0.67	0.67	0.67	
	6.7	Throughput		t/h	0	94	94	94	
6.8	Energy consumption at max. throughput		kWh/h	0	0.61	0.61	0.61		
Misc.	8.1	Type of drive control		AC SpeedControl					
	8.4	Sound pressure level at operator's ear as per EN 12053		dB (A)	63	67	67	67	

<sup>1)</sup> 375 Ah = 288 kg, 465 Ah = 368 kg

<sup>2)</sup> Battery compartment L + 27 mm / L high + 72 mm

<sup>3)</sup> Battery compartment L = 375 Ah, L high = 465 Ah

<sup>4)</sup> Diagonal in accordance with VDI: + 225 mm

<sup>5)</sup> Diagonal in accordance with VDI: + 369 mm

<sup>6)</sup> Load section lowered: + 48 mm

# Benefit from the advantages



Fixed operator platform for maximum driver safety



Precise operation with the pallet stop



Flexible and safe operation

## Dynamic and efficient travel

The 3-phase AC drive technology and control electronics (SpeedControl) guarantee dynamic and energy-saving handling which can be tailored to the requirements of any application:

- Powerful 2.8-kW drive motor with 3-phase AC controller.
- Jungheinrich SpeedControl – roll-back protection on gradients.
- Individually adjustable drive parameters enable the truck to be tailored to individual requirements (optional).
- Energy recovery through regenerative braking on deceleration.

## Outstanding handling and lift performance

- Jungheinrich ShockProtect: Protection for the operator, truck and load through additional drive suspension. The suspension cushions the operator and frame against harder impacts.
- Sprung and cushioned support wheels – linked via the ProTracLink torsion bar – ensure safe handling under all driving conditions.
- Controlled hydraulics (optional) for gentle depositing of the load and for precise pallet positioning in the racking.

## Flexible and safe operation

- Depending on the application, it can be used in ride-on or pedestrian mode by folding the platform out or in. The travel speed is automatically reduced when in pedestrian mode.
- A fixed platform with an enclosed operator position is available (optional) where more stringent safety requirements are in place.
- In double-deck operation, two pallets each weighing 1000 kg can be transported on top of each other at a maximum speed of 8 km/h (ERD 220 entry model: 5 km/h).

## Information at all times

Comprehensive control instrumentation gives the operator information at a glance at all times:

- CanDis information display (optional) with hour-meter and service code storage.
- Activation of truck via PIN and automatic shutdown with CanCode (optional).

## Outstanding ergonomics

The moisture-proof tiller arm has rocker switches on both sides and a clear red/green colour code to match the ergonomic requirements of the operator. The ERD 220 also has the following features:

- Fatigue-free electric steering.

- Height-adjustable tiller arm on fixed platform (optional).
- Additional pallet stop on chassis ensures precise positioning of two pallets stacked on top of each other.
- Detachable storage compartment on battery lid.

## Long operating times

Large battery capacities ensure long operating times.

- Battery compartment M: 3 PzS 250 Ah
- Battery compartment L: 3 PzS 375 Ah
- Battery compartment L high: 3 PzS 465 Ah
- Side battery removal option for multi-shift environments
- Built-in charger (24 V/30 A for wet cell batteries and maintenance-free batteries) for easy charging at any mains socket (optional).

## Optional equipment

- Load backrest.
- Lowering speed reduction for pallet lowering.
- Cold store version.
- Entry skids for lifting perimeter based pallets.
- High-performance lift.
- Slow travel with lowered forks (fork wear reduction)
- ERD 220 entry model with reduced performance levels.

## Jungheinrich Aktiengesellschaft

Friedrich-Ebert-Damm 129  
D-22047 Hamburg  
Telephone +49 40 6948-0  
Telefax +49 40 6948-1777

info@jungheinrich.com  
www.jungheinrich.com

The German production facilities in Norderstedt, Moosburg and Landsberg are certified. **ISO 9001**  
**ISO 14001**

Jungheinrich fork lift trucks meet European safety requirements.



**JUNGHEINRICH**  
Machines. Ideas. Solutions.